



National Power Corporation
INVITATION TO BID
SMALL VALUE PROCUREMENT 2023-005

1. The **NATIONAL POWER CORPORATION (NPC)**, through its approved Corporate Budget of **CY 2023** intends to apply the sum of (**Please see schedule below**) being the Approved Budget for the contract (ABC) to payments under the contract listed below. Bids received in excess of the ABC shall be automatically rejected at Bid opening.


	Ref. Nos./ PR Nos.	Description	Bid Submission/ Opening	ABC of the Project
1	MG-A5T23-009 SVP2023-AG5-016	SUPPLY AND DELIVERY, INSTALLATION, TEST & COMMISSIONING OF WATER TREATMENT FACILITY AT NPC NANGKA, BALO-I, LANA DEL NORTE & BARANGAY DITUCALAN, ILIGAN CITY, 60 CAL.DAYS	JULY 31, 2023 1:30PM	Php497,951.60
2	MG-A5M23-073 SVP2023-AG5-017	AG5 CONSTRUCTION OF STEEL STAIRWAY GOING TO SWITCHYARD AT NPC AGU5 5 HPP, DITUCALAN, ILIGAN CITY, 60 CAL. DAYS	JULY 31, 2023 1:30PM	Php830,768.37
3	MG-ST23-020 SVP2023-SSD-018	REPAIR AND REPAINTING OF EXISTING GUARD POST AT MARIA CRISTINA, ILIGAN CITY, 35 CAL. DAYS	JULY 31, 2023	Php599,565.88
4	MG-A5T23-010 SVP2023-AG5-019	CONSTRUCTION OF HAZARDOUS WASTE STORAGE FACILITY AT AGUS HPP, BARANGAY DITUCALAN, ILIGAN CITY, 60 CAL. DAYS	JULY 31, 2023 1:30PM	PhP1,000,000.00
5	MG-IPP23-012 SVP2023-IPP-020	SUPPLY OF LABOR, MATERIALS AND EQUIPMENT FOR THE REPAIR AND MAINTENANCE OF BUILDING (HOUSING QUARTER NO.28B) NPC COMPOUND, DITUCALAN, ILIGAN CITY, 50 CAL. DAYS	JULY 31, 2023 1:30PM	Php799,988.37
6	MG-CEN23-007 SVP2023-CMT-021	REPAIR OF NPC HOUSING UNITS NO.28A & 28A BASEMENT, NPC COMPOUND, BARANGAY DITUCALAN, ILIGAN CITY, 60 CALENDAR DAYS	JULY 31,2023 1:30PM	Php999,998.87
7	MG-ADM23-036 SVP2023-ADM-022	REPAIR OF TRANSFORMER SHED, NPC COMPOUND, DITUCALAN, ILIGAN CITY, 30 CAL. DAYS	JULY 31, 2023 1:30PM	Php216,000.00

2. NPC now invites Bids for Items listed above. Delivery of the Items are required within the contract period specified in the Technical Specifications. The Bidder must have completed a single contract that is similar to this Project, equivalent to an amount as stated in the Request for Quotation.
3. Bidding will be conducted through open competitive bidding procedures using a non-discretionary "pass/fail" pursuant to RA 9184 and its Revised IRR.
4. Interested bidders may obtain further information from the **BAC Secretariat, Contracts Management Office, Logistics Division** at the address given below during office hours, 8:00 AM to 5:00 PM Monday to Friday. A complete set of Request for Quotation (RFQ) may be secured by interested bidders free of charge from the address below.

It may also be downloaded free of charge from the website of the Philippine Government Electronic Procurement System (PhilGeps) <https://www.philgeps.gov.ph/> or the website of National Power Corporation <https://www.napocor.gov.ph/BCSD/bids.php>

5. Bids must be delivered to the address below on or before the date stated above. Late bids shall not be accepted.
6. NPC reserves the right to accept or reject any bid, to annul the bidding process, and to reject all bids at any time prior to contract award, without thereby incurring any liability to the affected Bidder or Bidders.
7. For further information, please refer to:

BAC SECRETARIAT
Contracts Management Office, Logistics Division
NPC Mindanao Generation
Maria Cristina, Iligan City
Tel. No.: (063) 222-3459
Fax No.: (063) 223-4604
E-mail Add.: logistics_afd_mingen@napocor.gov.ph


REYMANTE T. CIRUELA
Chairman, Bids and Awards Committee
Mindanao Generation Headquarters

Date of Publication: **July 22, 2023**

PROJECT HIGHLIGHTS

PH-1.0 GENERAL

The proposed project is located in front of the existing MRF area of Agus 5 HPP. Implementation of the project is very necessary to provide us facility to comply with R.A. 6969- an act to control toxic substance and hazardous and nuclear waste.

PH-2.0 PROJECT LOCATION

The project is located at NPC Agus 5 HP Plant, Brgy. Ditucalan, Iligan City

PH-3.0 SCOPE OF WORK

The work and services to be performed by the Contractor for this undertaking shall essentially consist of, but not limited to the following: (SEE WORK SCOPE INDICATOR on PLAN)

1. CONSTRUCTION SAFETY & HEALTH PROGRAM
2. MATERIALS AND STRENGTH TESTING (if necessary)
3. EXCAVATION WORKS
4. BACKFILLING WORKS
5. GRAVEL FILL
6. RE-BAR WORK
7. CONCRETE WORK
8. INSTALLATION OF G.I. PIPE COLUMN
9. MASONRY-BLOCK WORKS
10. ROOF TRUSS/FRAMING WORKS
11. ROOFING SHEET WORKS
12. INSTALLATION OF 1 1/2" G.I. PIPE FRAMING FOR DOORS & WALLING
13. INSTALLATION OF 1'X1" ANGLE BAR FOR DOORS & WALLING
14. PLAIN CEMENT PLASTER FINISHING WORK
15. PAINTING WORK
16. SIGNAGE / ART & SIGN WORK
17. Demobilization including clearing of site/demolition of Contractor's camp facilities

PH-4.0 CONTRACT PERIOD

The contractor shall complete the works as specified within Sixty (60) calendar days. The total contract duration is inclusive of six (6) unworkable days considered unfavorable for the execution of work at site. The contract period shall be reckoned from the date of contract effectivity as specified in the Notice to Proceed

PH-5.0 CONTRACTOR'S CLASSIFICATION

The contractor must have a valid Philippine Contractor's Accreditation Board (PCAB) license of at least **Category C or D – General Building** with inter-agency registration of at least **Small B – General Building - Industrial Plant**.

PH-6.0 MINIMUM REQUIRED KEY PERSONNEL

PROJECT HIGHLIGHTS

PH-1.0 GENERAL

The proposed project is located within the existing MRF area of Adams & MRF. Implementation of the project is very necessary to provide us with a facility to comply with R.A. 9003 - an act to control toxic substance and hazardous and no clean water.

PH-2.0 PROJECT LOCATION

The project is located at MFC Adams & MRF, near Baywalk, Marikina City.

PH-3.0 SCOPE OF WORK

The work and services to be performed by the Contractor for this undertaking shall essentially consist of, but not limited to the following (SEE WORK SCOPE INDICATOR on PLAN):

1. CONSTRUCTION SAFETY & HEALTH PROGRAM
2. MATERIALS AND STRENGTH TESTING (if necessary)
3. EXCAVATION WORKS
4. BACKFILLING WORKS
5. GRAVEL FILL
6. RE-BAR WORK
7. CONCRETE WORK
8. INSTALLATION OF 6" GL PIPE COLUMN
9. TIE-SORRY-BLOCK WORKS
10. ROOF TRUSS-FRAMING WORKS
11. ROOFING SHEET WORKS
12. INSTALLATION OF 1 1/2" GL PIPE FRAMING FOR DOORS & WALLING
13. INSTALLATION OF 1X1" ANGLE BAR FOR DOORS & WALLING
14. PLAIN CEMENT PLASTER FINISHING WORK
15. PAINTING WORK
16. SIGNAGE PART & SIGN WORK
17. Demobilization including cleaning of site/condition of Contractor's camp facilities

PH-4.0 CONTRACT PERIOD

The contractor shall complete the works as specified within Sixty (60) calendar days. The actual contract duration is inclusive of six (6) calendar days considered favorable for the completion of work at site. The contract period shall be reckoned from the date of contract effectivity as specified in the Notice to Proceed.

PH-5.0 CONTRACTOR'S QUALIFICATION

The contractor must have a valid Philippine Contractors' Association Board (PCAB) license or at least Category C or D - General Building and must have agency registration of at least Class B - General Building - Industrial/Commercial.

PH-6.0 MINIMUM REQUIRED KEY PERSONNEL

AG5 CONSTRUCTION OF HAZARDOUS WASTE STORAGE FACILITY

1.1 - Construction Foreman

(A B.S. Civil Engineering Graduate with at least three (3) years experience in similar works; or a Civil Engineering Technology Graduate with at least five (5) years experience in similar works); or if non-graduate, at least five (5) years working experience as Construction Foreman in similar works.

2.1 - Safety Officer 2 (SO2)

[Construction Safety Officer who has completed at least forty (40) hours of Construction Safety and Health Training (COSH) from Occupational Safety and Health Center (OSHC) or Safety Training Organizations (STOs) accredited by the Department of Labor and Employment (DOLE). Must be present during the whole duration of the project.]

3.1 - Two Welders - At least Three (3) years experience in welding works.

Valid Professional Regulation Commission (PRC) license for professional personnel; Certificate of Training with accreditation from DOLE for the Construction Safety & Health Officer; Diploma and/or Service Record/Certificate of Employment of previous and/or current employer for Construction Foreman, Welder shall be submitted and included as an attachment in the Standard Form *NPCSF-INFR-09: List of Key personnel Proposed to be Assigned to the Contract*.

Project Engineer or Foreman and Construction Safety & Health Officer maybe one person, as long as he meets the requirements of the two positions. Provided however, that there is no overlapping of projects undertaken by the same contractor and supervised by the same person.

The above key personnel must be either employed by the applicant or contracted by the applicant to be employed for the contract to be bid.

PH-7.0 MINIMUM REQUIRED CONSTRUCTION EQUIPMENT OR TOOLS (Owned or Leased)

2 units Welding Machine	300 amp.
1 unit Concrete Mixer	1 bagger

1.1 - Construction Foreman
A B.S. Civil Engineering Graduate with at least three (3) years experience in similar works or a Civil Engineering Technology Graduate with at least five (5) years experience in similar work, or a non-graduate at least five (5) years working experience as Construction Foreman in similar work.

2.1 - Safety Officer 2 (SO2)
Construction Safety Officer who has completed at least forty (40) hours of Construction Safety and Health Training (CSO) from Occupational Safety and Health Center (OSHC) or Safety Training Organization (STO) accredited by the Department of Labor and Employment (DOLE). Must be present during the whole duration of the project.

3.1 - Two Welders - At least Three (3) years experience in welding works.
Valid Professional Regulation Commission (PRC) license for professional personnel. Certificate of Training with accreditation from DOLE for the Construction Safety & Health Officer, Diploma and/or Service Record/Certificate of Employment of welder and/or current employer for Construction Foreman. Welder shall be submitted and included as an attachment in the Standard Form WFO-02. List of key personnel proposed to be assigned to the Contract.

Project Engineer or Foreman and Construction Safety & Health Officer may be one person, as long as the needs the requirements of the two positions. However, there is no overlapping of responsibilities undertaken by the same contractor and/or employee by the same person.

The above key personnel must be either employed by the applicant or contracted by the applicant to be employed for the contract to be bid.

PHYS MINIMUM REQUIRED CONSTRUCTION EQUIPMENT OR TOOLS (Owned or Leased)

- 2 units Welding Machine
- 1 unit Concrete Mixer
- 300 amp. 1 pager

SECTION VIII - BILL OF QUANTITIES

Name of Project

CONSTRUCTION OF HAZARDOUS WASTE
STORAGE FACILITY AT AGUS 5 HPP

PR #

MG-A5T23 - 010

BILL OF QUANTITIES

Item No.	Description of Work or Materials	Estimated Quantity	Unit	Unit Price in Pesos (Words and Figures)	Total Amount
1	CONSTRUCTION OF SAFETY & HEALTH	1.00	lot		
2	EXCAVATION WORKS	11.88	Cu.m.		
3	BACKFILLING WORKS	7.39	Cu.m.		
4	GRAVEL FILL	4.00	Cu.m.		
5	RE-BAR WORK	311.28	kgs.		
6	CONCRETE WORK (including formwork &	11.13	Cu.m.		
7	INSTALLATION OF G.I. PIPE COLUMNS	24.00	Lin.M.		
8	MASONRY - BLOCKWORKS	51.96	sq.m.		
9	ROOF TRUSS/FRAMING WORK	990.84	kgs.		
10	ROOFING SHEET WORK	106.12	Sq.m.		

100% GUARANTEE
 NO HIDDEN FEES
 1-800-800-8000

100% GUARANTEE
 NO HIDDEN FEES
 1-800-800-8000

100% GUARANTEE
 NO HIDDEN FEES
 1-800-800-8000

LIST OF COST ITEMS

Item	Description	Quantity	Unit	Total
1	CONSTRUCTION MATERIALS	100	sq ft	
2	CONSTRUCTION WORK	100	sq ft	
3	CONSTRUCTION WORK	100	sq ft	
4	CONSTRUCTION WORK	100	sq ft	
5	CONSTRUCTION WORK	100	sq ft	
6	CONSTRUCTION WORK	100	sq ft	
7	CONSTRUCTION WORK	100	sq ft	
8	CONSTRUCTION WORK	100	sq ft	
9	CONSTRUCTION WORK	100	sq ft	
10	CONSTRUCTION WORK	100	sq ft	
Total				

11	INST. OF 1 1/2" DIA. G.I. PIPE FRAMING for Doors &	108.00	Lin.M.
12	INST. OF 1"X1" angle bars for doors & Walling	468.00	Lin.M.
13	PLAIN CEMENT PLASTER FINISHING WORK	176.76	sq.m.
14	PAINTING WORKS	371.23	sq.m.
15	SIGNAGE /ART & SIGN WORK	1.00	lot

Name of Firm

Name and Signature of Authorized Representative

Designation

Item # 100

Amount \$ 100.00

Date

12. CHARGE NO. 100

100

100

13. BILLING NO.

100

100

14. PLAIN CO. NO.

100

100

15. INST. OR NEXT SINGLE NO.

100

100

16. INST. OR NEXT SINGLE NO. (continued)

100

PROJECT TITLE:
AG5 CONSTRUCTION OF HAZARDOUS WASTE STORAGE FACILITY

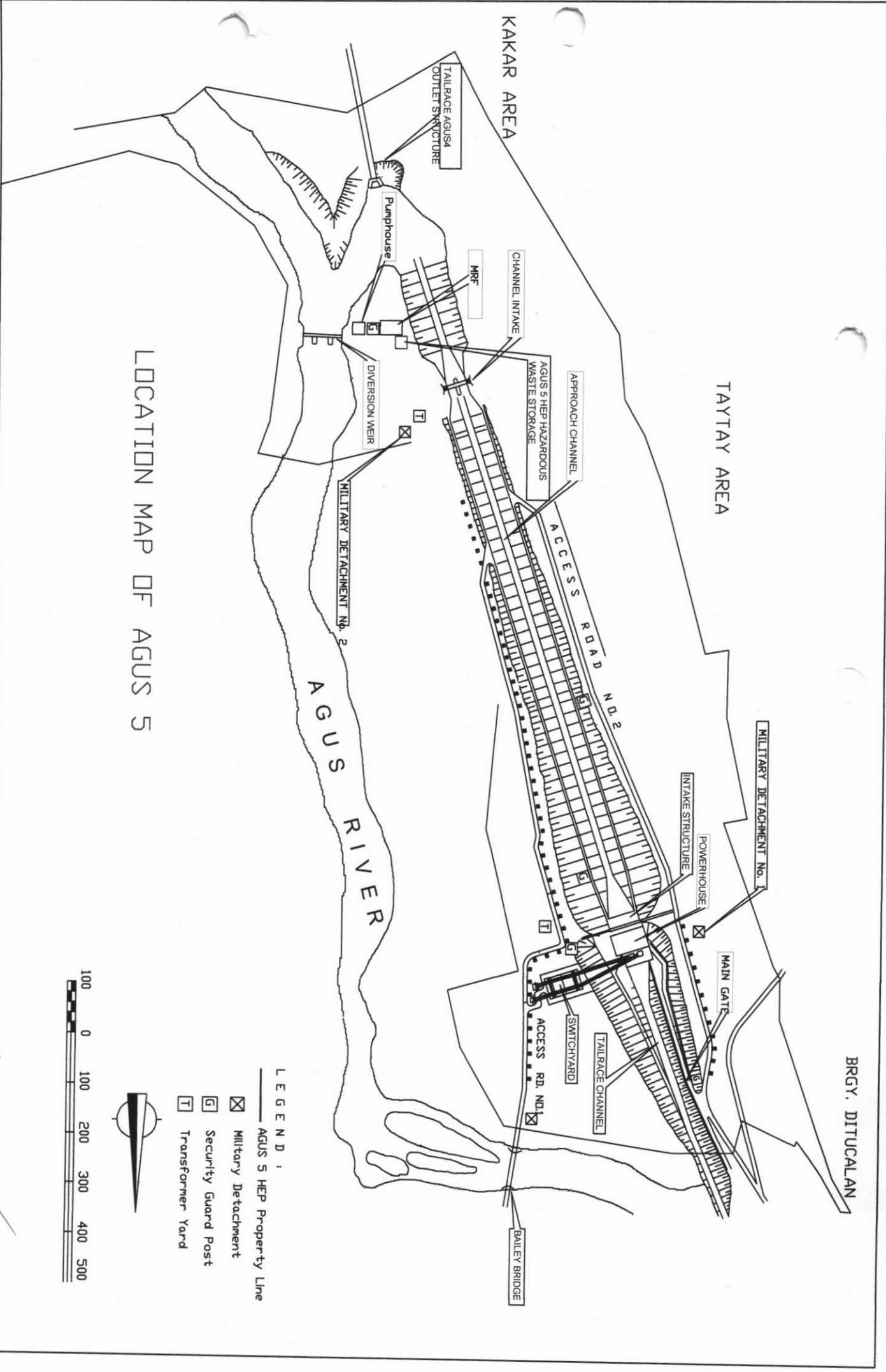
LOCATION: Agus 5 HEP, Brgy. Nangka, Balo-i Linao del Norte

PREPARED:
L.G. NANGKAS
Maint. Foreman, Agus 475 HEP

SUBMITTED:
E. P. MONDILLA
OIC-Div. Manager, WSD/Agus 445 HEP

APPROVED:
N. T. BEMIGRA
Plant Manager, Agus 415 HEP

SHEET NO.
1 / 1



LOCATION MAP OF AGUS 5

LEGEND:
 - - - AGUS 5 HEP Property Line
 ☒ Military Detachment
 ☒ Security Guard Post
 T Transformer Yard

BRGY. DITUCALAN

Handwritten text and a signature in the right margin, including a name that appears to be "R. B. ...".

COMPLETION MAP OF VONZ 2

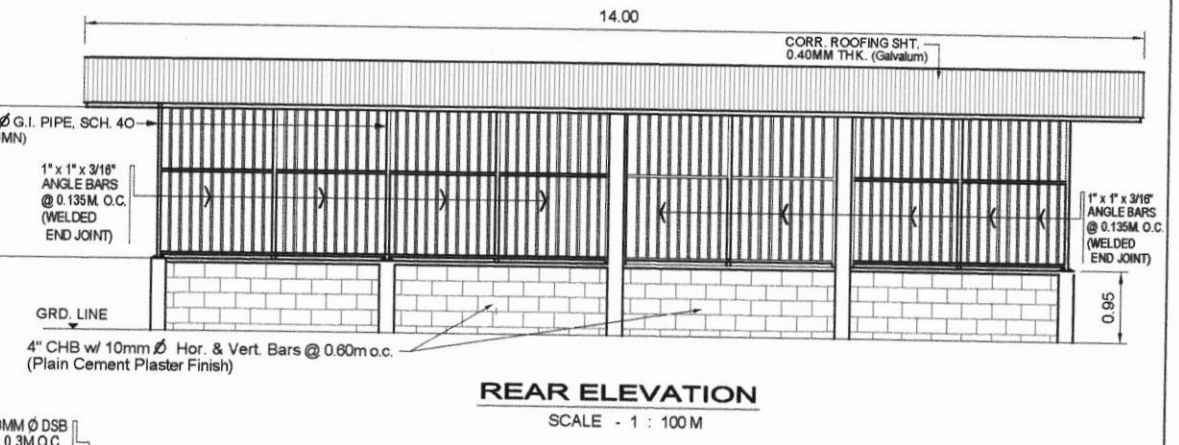
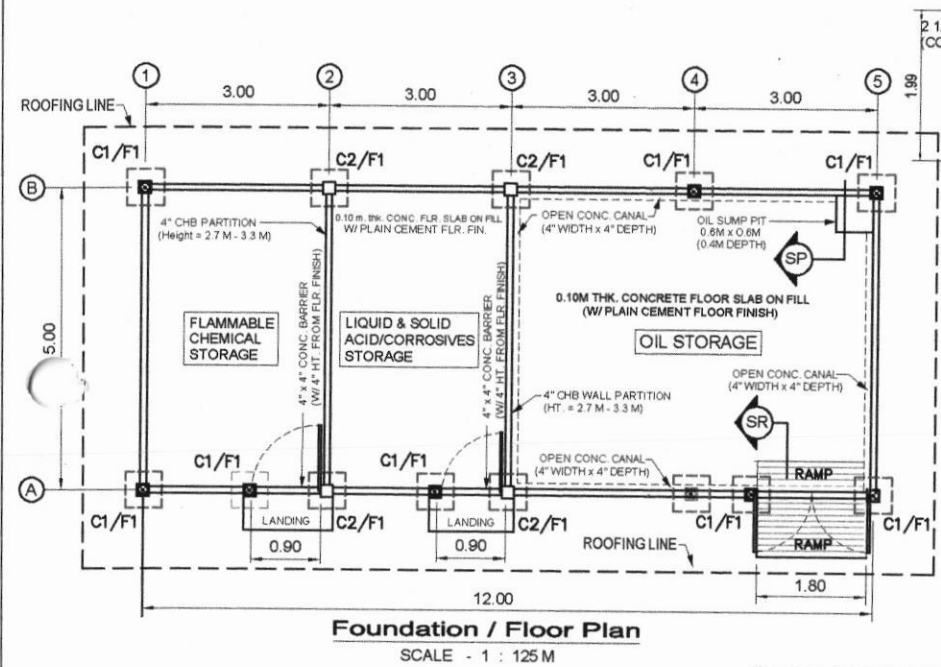
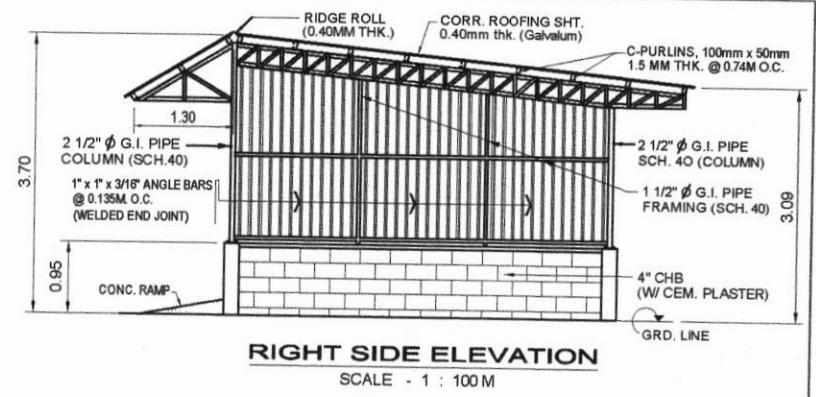
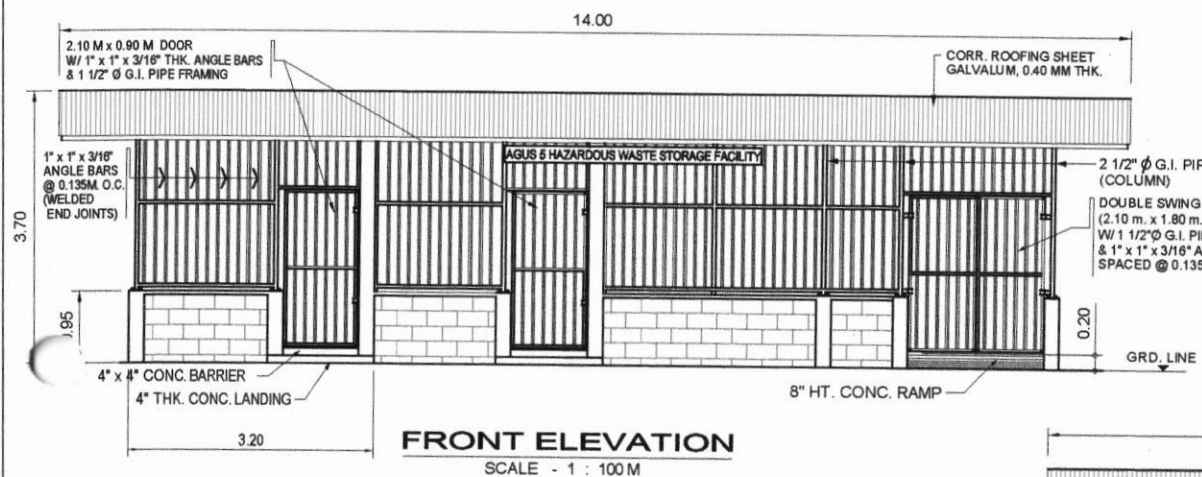


VONZ 2
MINER

KISA VASTYAN

PRGY. DITUCALAN

Scale: 1:1000
Date: ...
Author: ...



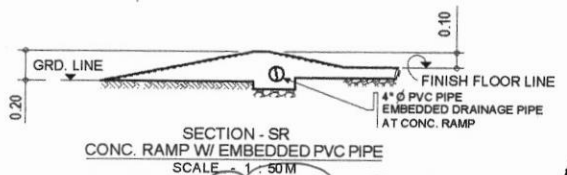
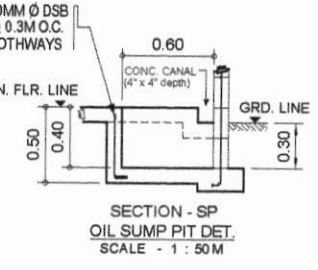
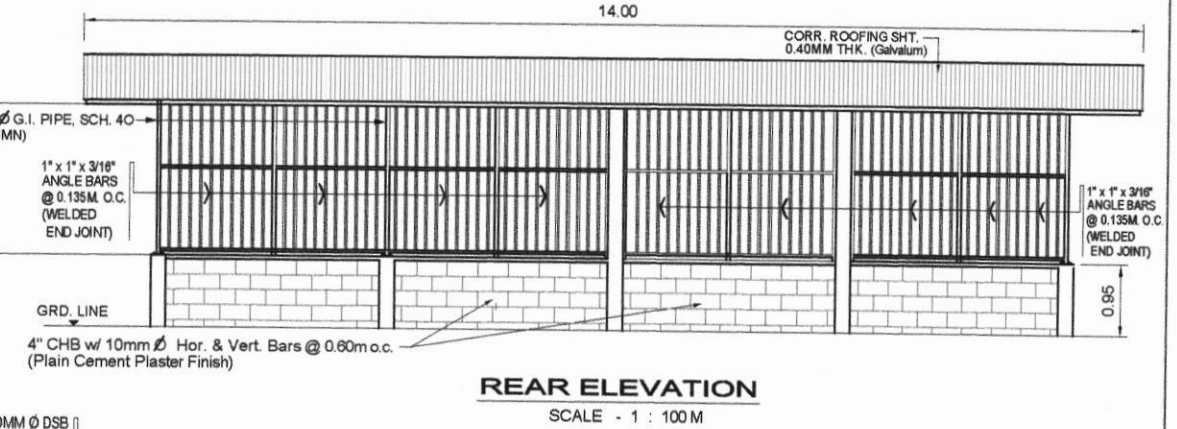
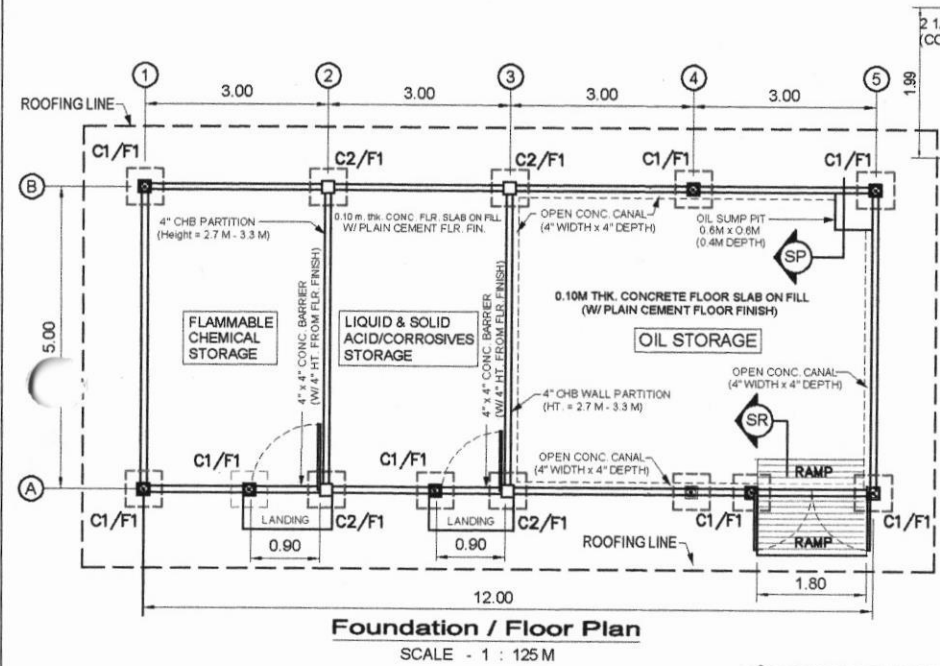
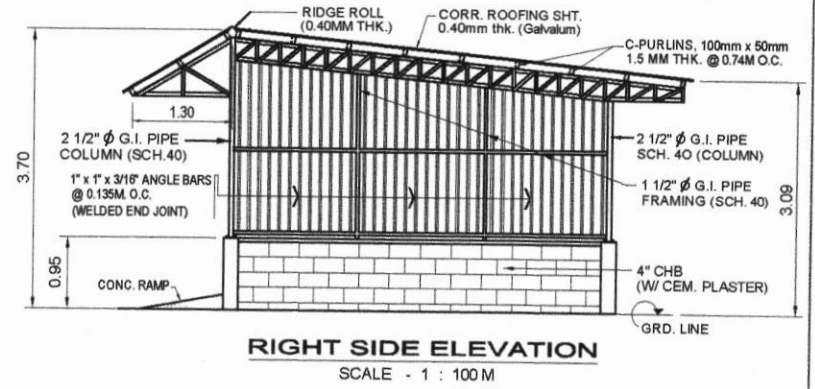
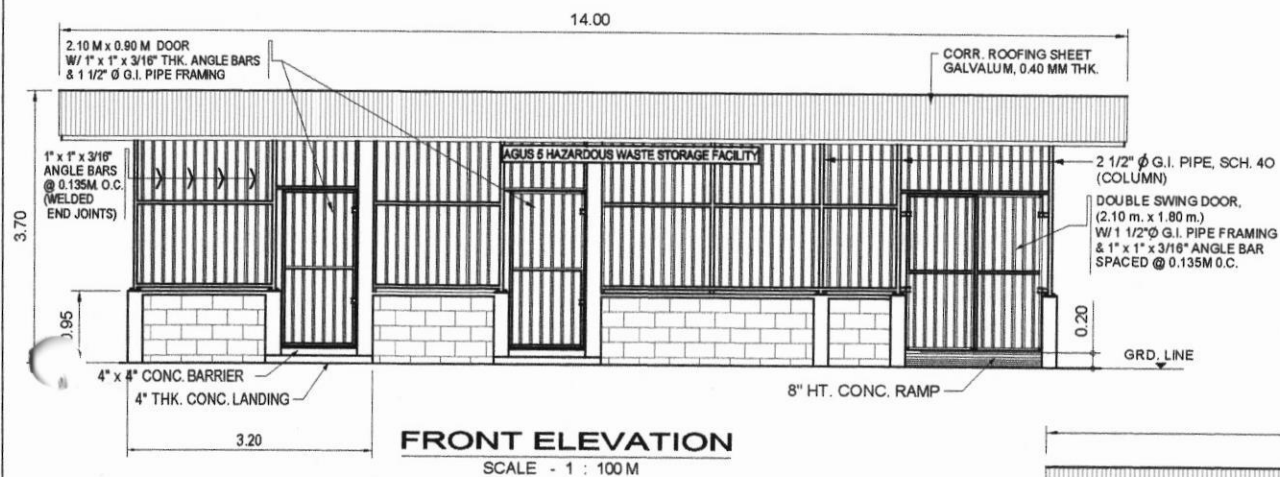


PROJEKT (1/1)



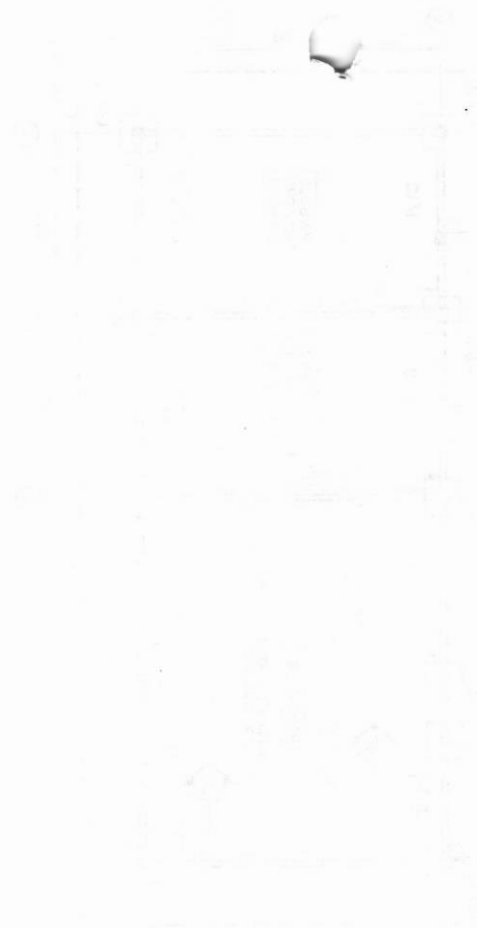
PROJEKT (1/1)





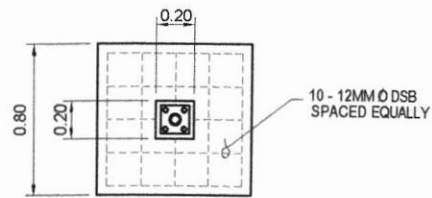


VALVE ACTUATOR

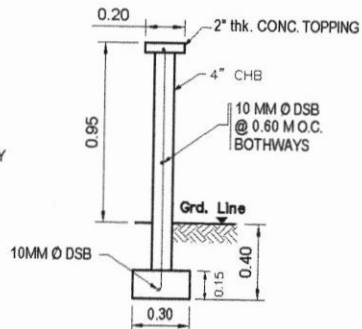


VALVE ACTUATOR

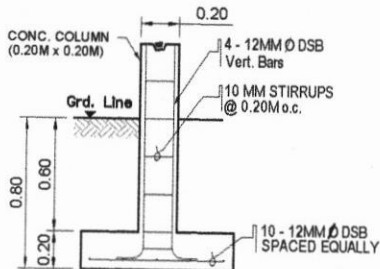




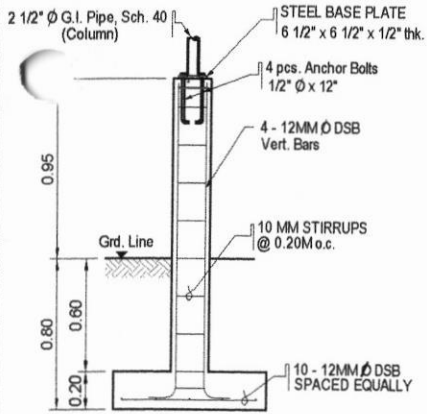
10 - 12MM Ø DSB SPACED EQUALLY



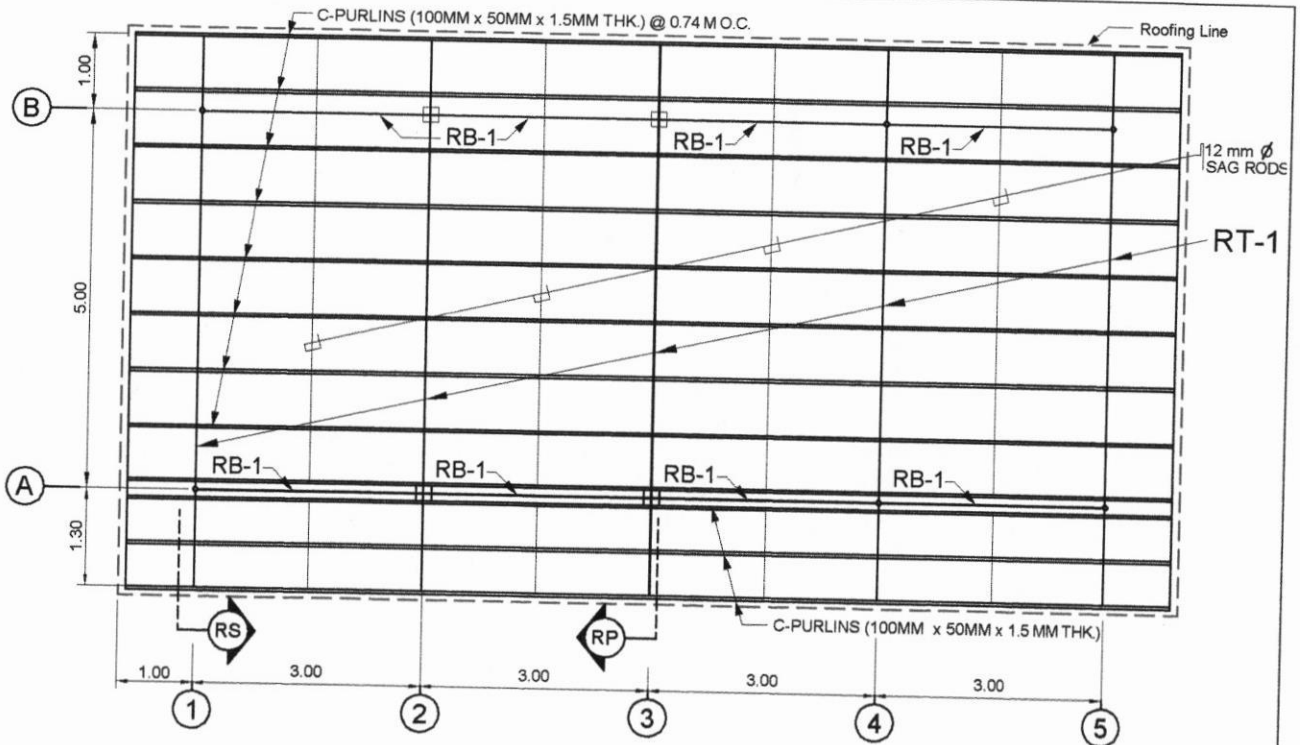
WALL & FTG. DET.
SCALE - 1 : 40 M



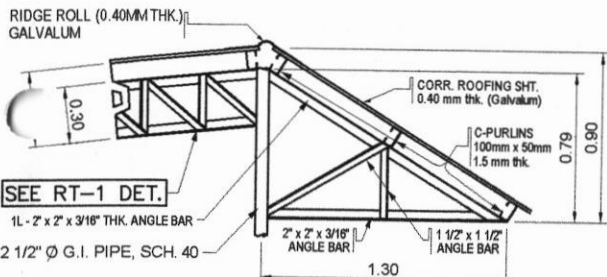
C2/F1 DET.
SCALE - 1 : 40 M



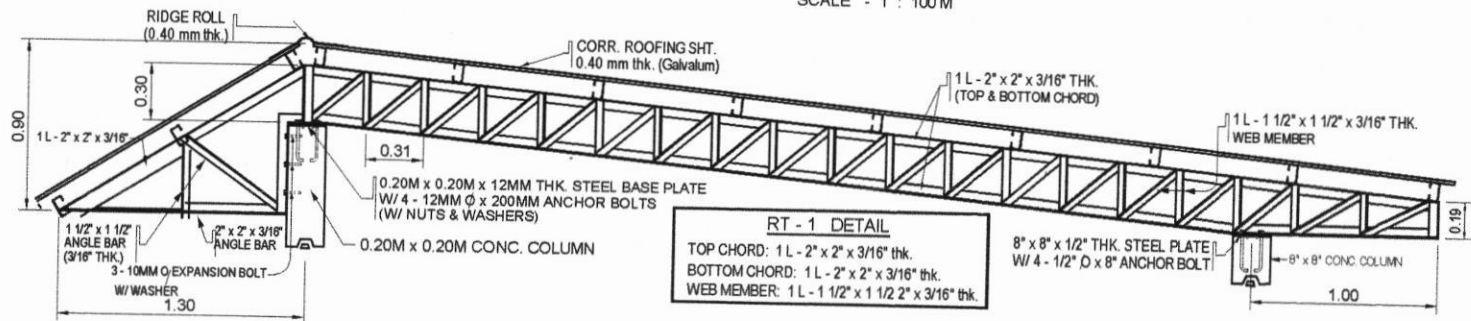
C1/F1 DET.
SCALE - 1 : 40 M



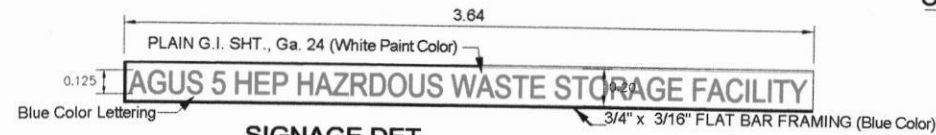
ROOF FRAMING PLAN
SCALE - 1 : 100 M



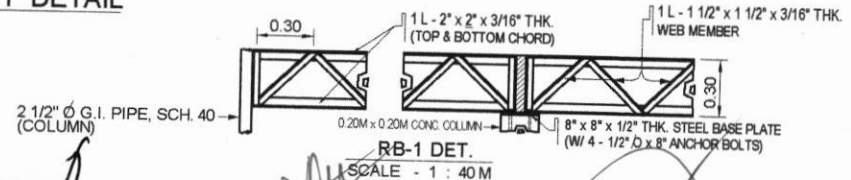
SECTION - RS (ROOFING & TRUSS DET.)
SCALE - 1 : 40 M



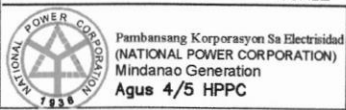
SECTION - RP & RT-1 DETAIL
SCALE - 1 : 40 M



SIGNAGE DET.
SCALE - 1 : 40 M



RB-1 DET.
SCALE - 1 : 40 M



WORK ORDER / PROJECT:
CONSTRUCTION OF HAZARDOUS WASTE STORAGE FACILITY AT AGUS 5 HPP
LOCATION: AGUS 5 HEP, DITUCALAN, ILIGAN CITY

SUBMITTED:
[Signature]
L. G. NANCAS
Maint. Foreman AGUS 4 & 5 HPPC

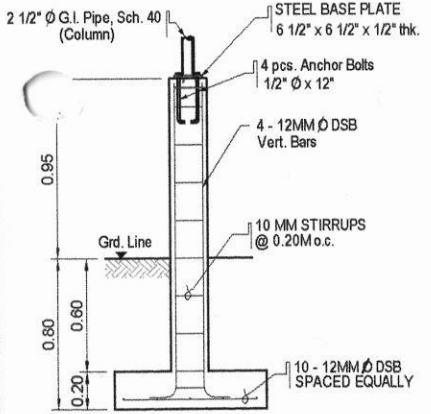
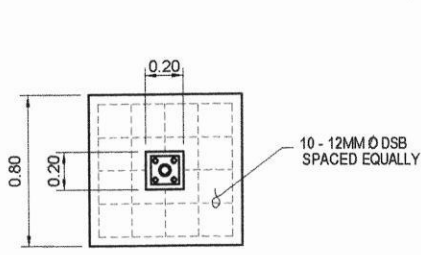
REVIEWED:
[Signature]
R. S. POLESTICO
PTSD, Manager AGUS 4 & 5 HPPC

RECOMMENDED:
[Signature]
N. T. BENIGRA
Plant Manager, Agus 4 & 5 HPPC

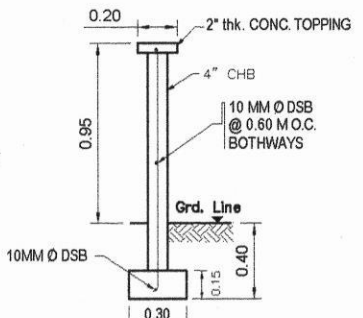
APPROVED:
[Signature]
ATTN: E. L. RAMIREZ
OIC, Vice President, Mindanao Generation

SHEET
2/2

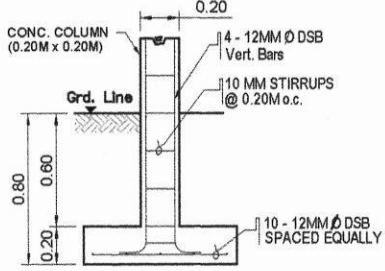




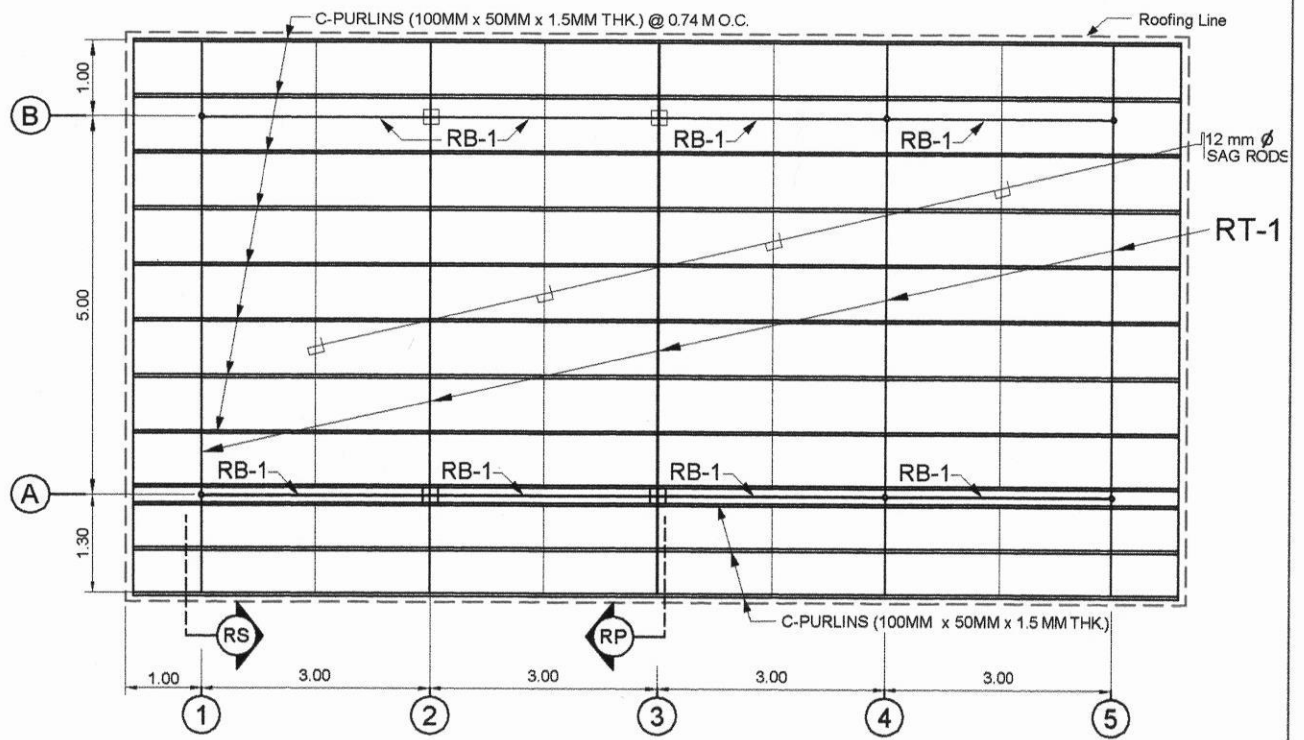
C1/F1 DET.
SCALE - 1 : 40M



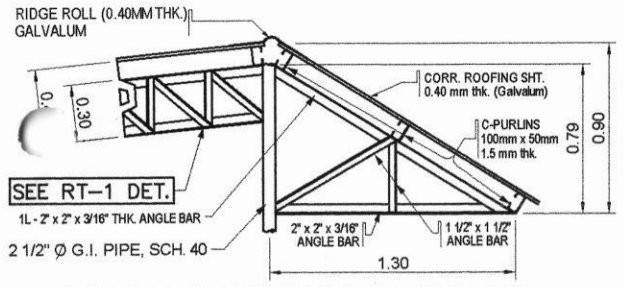
WALL & FTG. DET.
SCALE - 1 : 40M



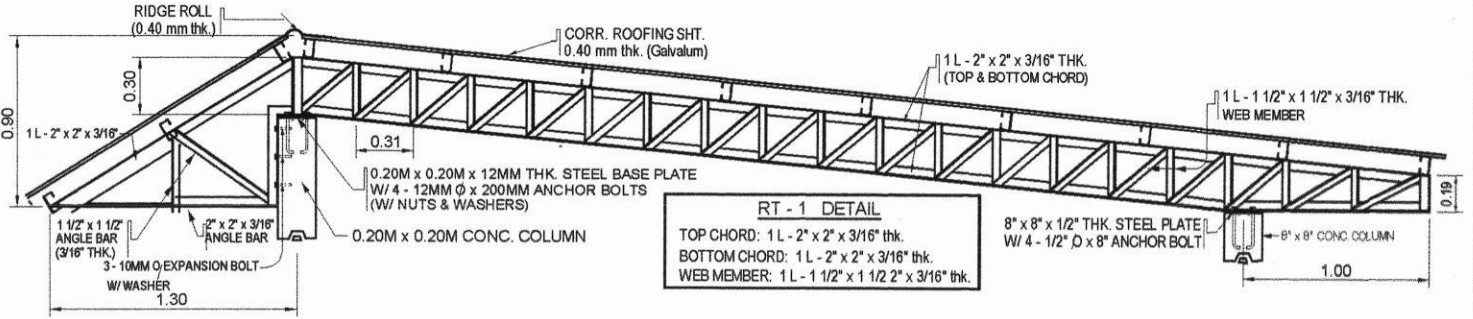
C2/F1 DET.
SCALE - 1 : 40M



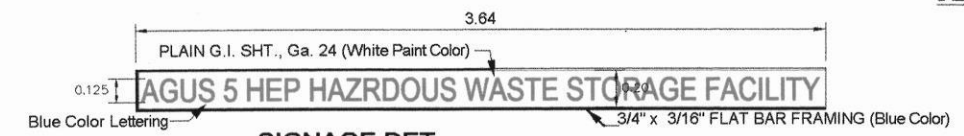
ROOF FRAMING PLAN
SCALE - 1 : 100M



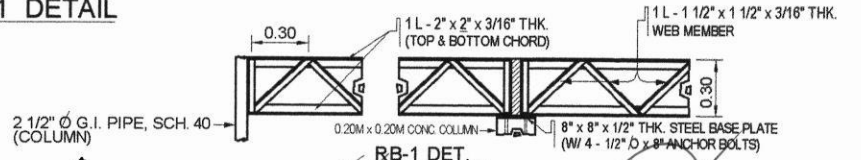
SECTION - RS (ROOFING & TRUSS DET.)
SCALE - 1 : 40M



SECTION - RP & RT-1 DETAIL
SCALE - 1 : 40M



SIGNAGE DET.
SCALE - 1 : 40M



RB-1 DET.
SCALE - 1 : 40M

	Pambansang Korporasyon Sa Elektrisidad (NATIONAL POWER CORPORATION) Mindanao Generation Agus 4/5 HPPC	WORK ORDER / PROJECT: CONSTRUCTION OF HAZARDOUS WASTE STORAGE FACILITY AT AGUS 5 HPP	SUBMITTED: L. C. NARIGASAS Maint. Foreman AGUS 4 & 5 HEPC	REVIEWED: R. S. POLESTICO PTSD, Manager AGUS 4 & 5 HEPC	RECOMMENDED: N. T. BENICERA Plant Manager, Agus 4 & 5 HEPC	APPROVED: M. E. L. RAMIREZ Vice President, Mindanao Generation	SHEET
		LOCATION: AGUS 5 HEP, DITUCALAN, ILIGAN CITY					

Handwritten notes and signatures at the top of the page, including a signature that appears to be "J. H. ...".

REVISION NO. 1

DATE: 10/10/50

BY: J. H. ...

PROJECT: ...

SCALE: 1/4" = 1'-0"

SECTION

